

The left side of the page features a decorative vertical bar composed of several overlapping rectangular sections with different patterns: a fine grid, a vertical line, and a light gradient. To the right of this bar are five solid pink circles of varying sizes, arranged in a cluster. The main title is positioned to the right of these circles.

HOW A SEWING MACHINE WORKS!

By Shinae Tobin Salzman and Maddi Wittmann

CONTENTS



Click here to
listen!

- Introduction
- Parts of a sewing machine
- Diagrams
- Images
- How a sewing machine works
- Fast facts
- Glossary
- Resources
- The end



INTRODUCTION!



Click here to
listen!

Hi our names are Maddi and Shinae

We are going to be showing you how a sewing
machine works.

Hope you enjoy it!



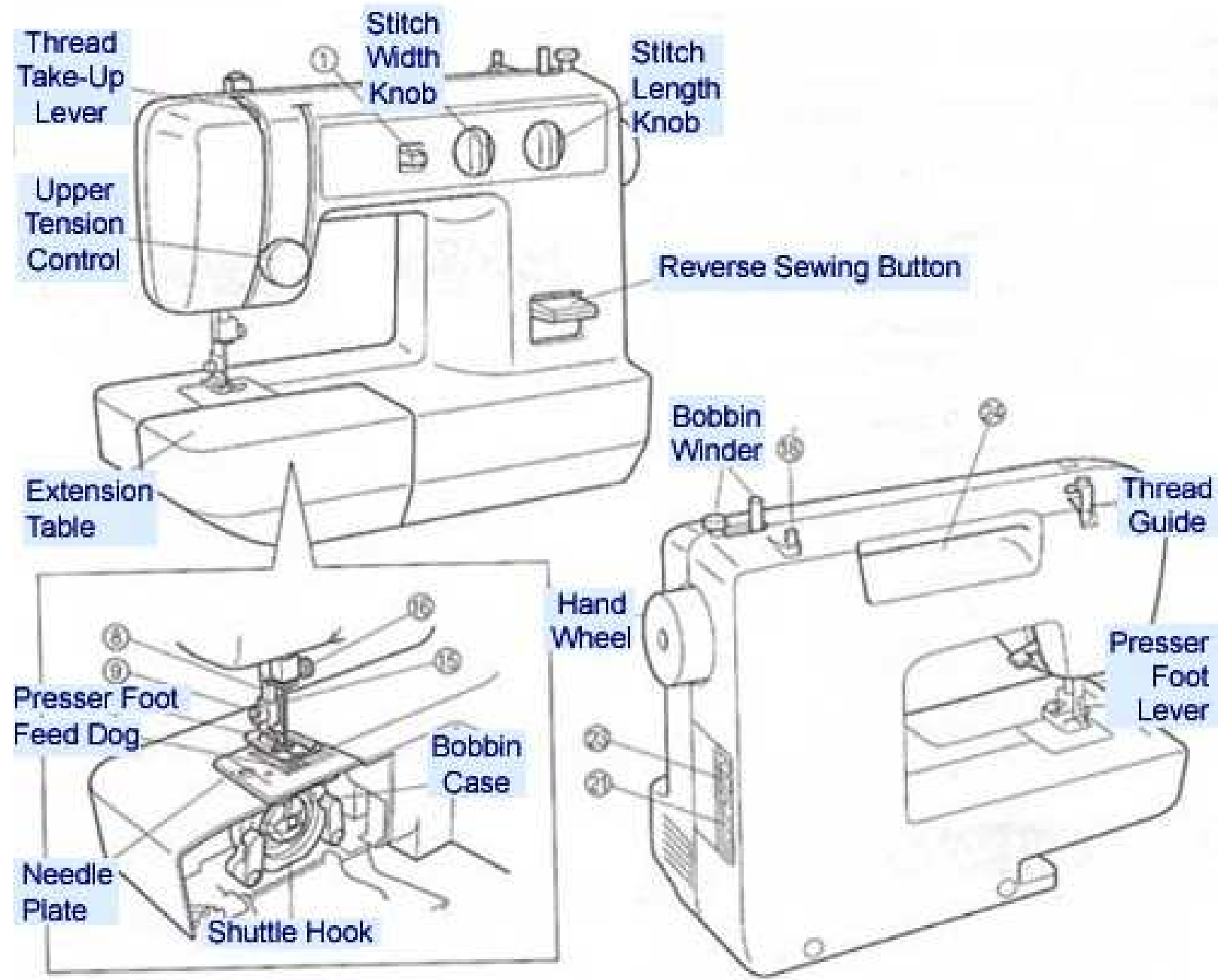
PARTS OF A SEWING MACHINE

- Click below to take a look at our parts to a sewing machine movie!
- [Parts to a sewing machine](#)

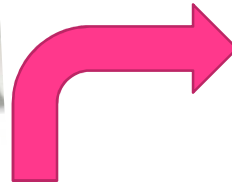
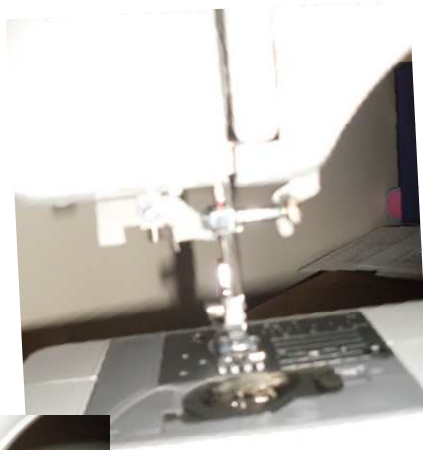
Make sure you just click on it once
Beware it might take a while to load



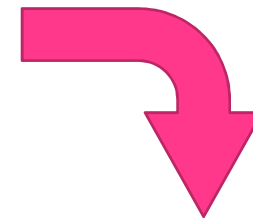
D
I
A
G
R
A
M
S



IMAGES



This is a item that we made with the sewing machine



This sewing machine is around about 55 years old! You only had to turn a handle to move the needle!

Click here
and listen!



HOW A SEWING MACHINE WORKS

- When you push the foot pedal down it makes the needle go down through the material and back up and continues that process until you lift your foot off the pedal.
- But before you press the foot pedal down you have to thread the cotton through the needle so it sews properly. You can thread the cotton through the needle by pushing it through a little hole on the needle. You also need the bobbin thread to do the lower stitch.
- The needle controls the upper stitch and the bobbin thread controls the lower stitch



Click here
to listen!

HOW A SEWING MACHINE WORKS 2



When you push the pedal down it makes the needle go through the material. Then the bobbin thread, hook's onto the upper stitch and makes a little knot forming a stitch in the material.



FAST FACTS



[Click here to listen!](#)

- If we didn't have the sewing machine the world would be a very different place.
- Sewing machines can come in all different sizes
- Some sewing machine comes with buttons you can press that make the needle thread in different patterns
- Sewing machines have 2 threads a top one and a bottom one.
- The pedal is where you put your foot to make the needle go at the pace that you want it to go at.



GLOSSARY

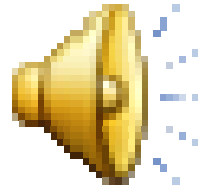


Click here to
listen!

- Diagram: looking at a picture of how the sewing machine work
- Stitch: cotton that sews your piece of material together
- Foot: The thing that your needle goes through to stitch your piece of material
- Extension table: the piece of the sewing machine that covers the part that holds your bobbin
- Stitch lengthen knob: the part that moves your needle to the place where you want it



RESOURCES!



Click here to listen!

www.sewtrendy.com

www.howstuffworks.com

Our own knowledge

Encarta

Book: sewing parts



THE END!



By Shinae Tobin-Salzman and Maddi Wittmann!

