



# Australian Turntable Company

Relocatable turntables for  
demolition, excavation &  
construction



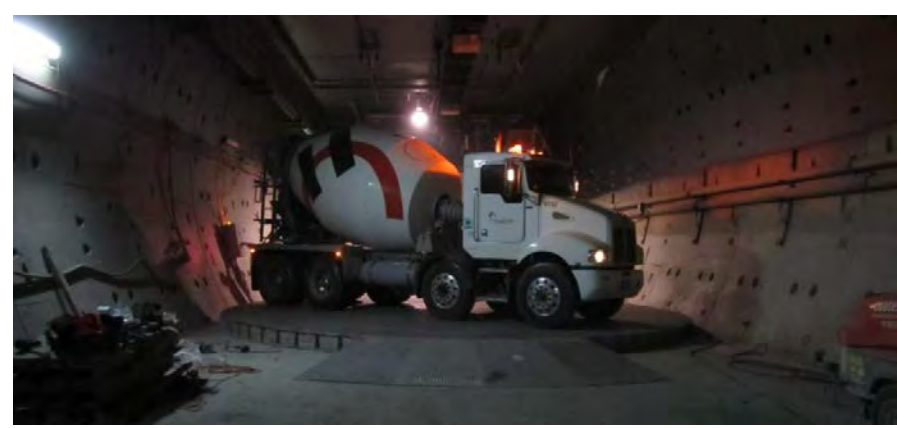
# Experience

- Established 1987
- Delivered major projects internationally
- Accreditations:
  - ISO 9001:2008
  - ISO 14001:2004
  - ISO 4801:2001
- Australian manufacturer using Australian steel & components
- Turnkey project services provided
- World leader in rotational movement solutions





# Re-locatable Turntables





# Industries

- Infrastructure
- Tunnelling – Excavation & material delivery
- Construction – High rise buildings
- Construction – Road & Rail



# Operational Benefits

- Reduce cost of construction by getting more trucks on site per shift
- Reduce chance of liquidated damages
- Simple access to difficult sites
- Driver vision improved reducing traffic management risks
- Reduce your unloading area and get more use out of your space





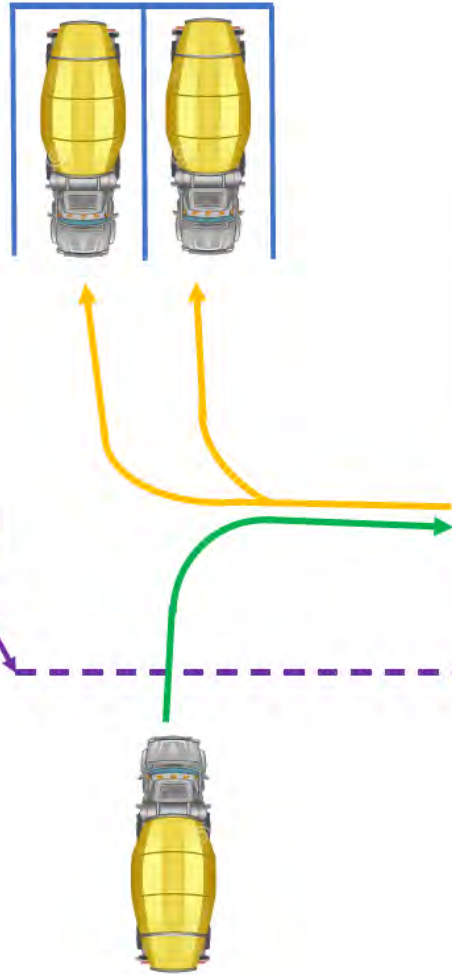
# Project Benefits

- Simple entry/exit forwards - Compliance with city council/road authority requirements
- Hiring business model – Full product support without CAPEX
- Installed in 1 day
- Local Content - Australian manufacturer using Australian steel & components



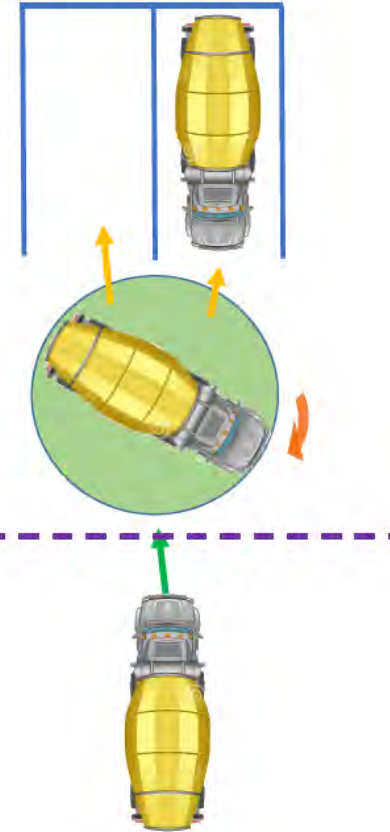
# Case Study

OPTION 1:  
CONVENTIONAL MANOUEVER  
& UNLOADING



AREA REQUIRED 350M<sup>2</sup>

OPTION 2:  
ROTATE 1 TRUCK ON TURNABLE – REVERSE INTO UNLOADING BAY

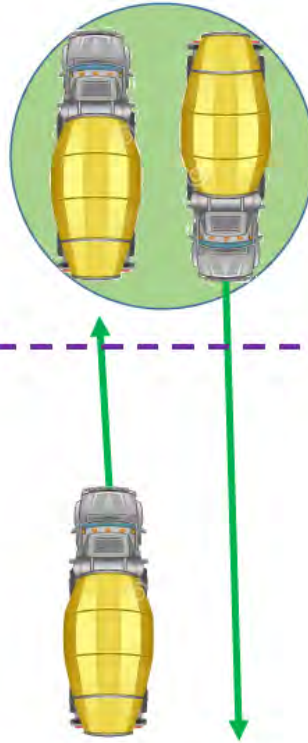


AREA REQUIRED 200M<sup>2</sup>

# Case Study

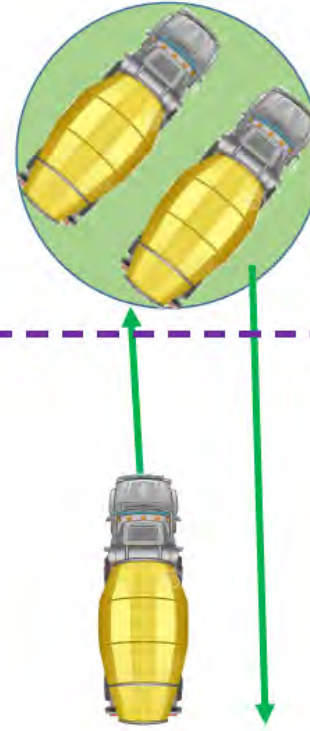
## Relocatable Turntable – Concrete Pour

OPTION 3:  
ROTATE 2 TRUCK ON TURNTABLE – 1 TRUCK UNLOADS AT A TIME



AREA REQUIRED 150M<sup>2</sup>

OPTION 4:  
ROTATE 2 TRUCK ON TURNTABLE – 2 TRUCKS UNLOAD AT A TIME



AREA REQUIRED 150M<sup>2</sup>



# Custom – Heavy Engineered Applications

- From concept to completion

